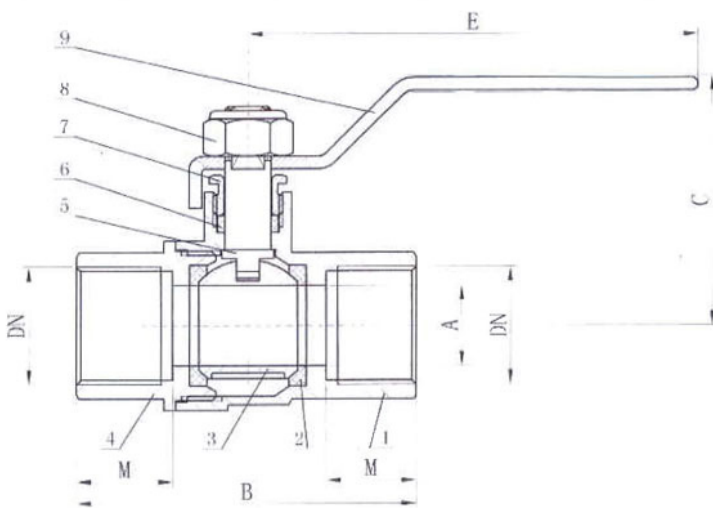


Product information

BRVBE1 MAXIMUS Ball Valves



Applications: Water, Oil, Gas

Working Pressure: 365 PSI

Temperature: -20°C to +120°C

Threads: BSPP, ISO 228

Size DN	A	B	C	E	M
1/4	10	52	43	101	13
3/8	10	52	43	101	13
1/2	14.5	58	47	95	16
3/4	18	69	55	95	19
1	24	75	60	95	20
1 1/4	32	98	73	129	25
1 1/2	40	102	81	151	25
2	47	118	87	184	27
2 1/2	58	126	130	251	26
3	70	148	135	251	26
4	90	174	155	251	28

Item Number	COMPONENT	MATERIAL
1	Body	Brass, Nickle plated
2	Seat	P.T.F.E
3	Ball	Brass, Chrome plated
4	Body Nut	Brass, Nickle plated
5	Stem	Brass
6	Packing	P.T.F.E
7	Gland Nut	Brass
8	Nut	Stainless Steel, Nyloc
9	Handle	Stainless Steel